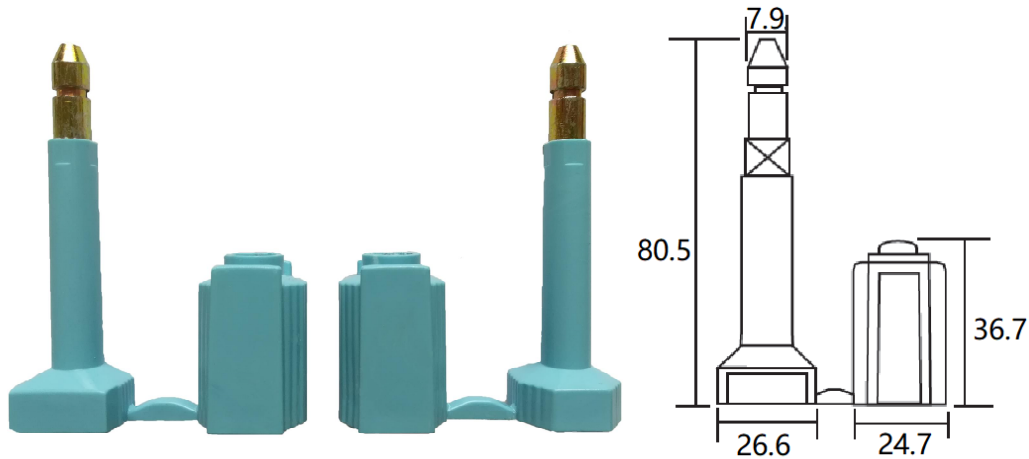




## Test report of Bolt seal

### SKL H008



This is certify that the test results for the mentioned bolt seal of model No SKL H008 classify to High Security seal in tensile and bending performances, High security seal in shear and impact performance respectively, according to specification of ISO/PAS 17712:2013. Aspects include tensile properties with tensile force is about 1500KG to 1600KG

Certified by: Xiaorong Yu

Authorized Signature: Jian Yu

Date Issued : Aug, 17<sup>th</sup>, 2025

安福英辉科技有限责任公司  
Anfu E-SEAL TECHNOLOGY COMPANY LIMITED